



SECATOL

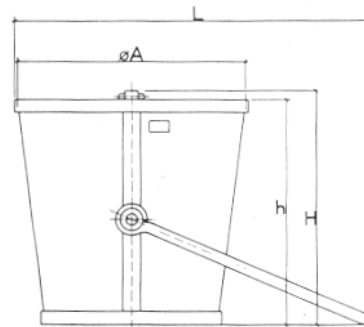
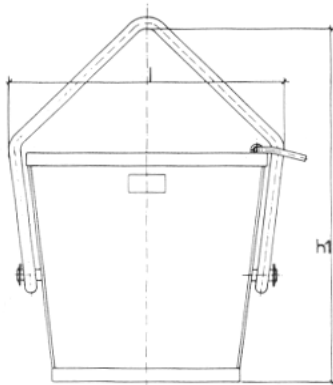
113 CIRCULAR TIPPING SKIP



The 113 Circular Tipping Skip is used for site rubbish and spoil removal.

To empty the skip the bale arm locking fingers are disengaged allowing the skip to be tipped. The 1500L capacity model is fitted with a reinforced heavy duty bale arm.

It is important to note that the tipping operation can be difficult if the skip is only partially full. Where a larger capacity skip is required we therefore strongly recommend the use of the "Autovoid" Self discharging Boat Skip which has a lower loading height along with improved productivity.



Capacity in litres	Dimensions in mm						Unladen weight (kg)
	A	h	h1	Length	Width	Height	
100	552	555	870	880	660	575	28
200	690	695	1135	1060	810	720	57
300	798	795	1270	1240	950	825	82
500	944	955	1585	1580	1125	985	153
800	1110	1100	1785	1800	1325	1135	220
1000	1203	1160	1895	1940	1430	1200	310
1500	1341	1420	2130	2000	1570	1460	470

WHITNEY ENGINEERING LIMITED

Unit 6, Ladford Trading Park, Seighford, Stafford, ST18 9QE

Tel: 01785 282811 Fax: 01785 282930

Email: sales@whitneyeng.co.uk Web: www.whitneyeng.co.uk