



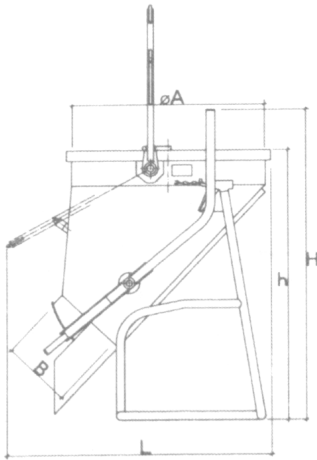
SECATOL

141.5 UPRIGHT CONEFLOW SKIP

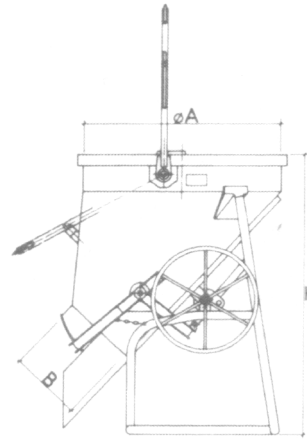


The 141.5 Upright Coneflow skip is an economic and versatile general purpose concrete skip with angled discharge which is useful when access is limited.

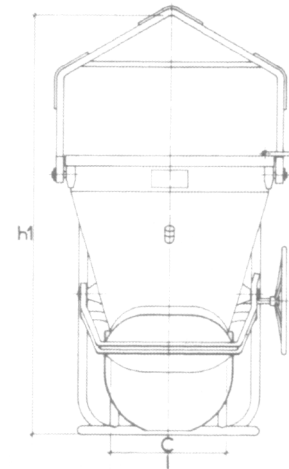
The gate is operated by means of a geared handwheel with the option of lever operation.



Lever operated



Wheel operated



Capacity in litres	Dimensions in mm								Unladen weight (Kg)
	A	B	C	h	h1	Length	Width	Height	
250	794	350	350	1100	1550	1070	980	1130	83
500	898	410	410	1570	2240	1320	1090	1600	179

WHITNEY ENGINEERING LIMITED

Unit 6, Ladford Trading Park, Seighford, Stafford, ST18 9QE

Tel: 01785 282811 Fax: 01785 282930

Email: sales@whitneyeng.co.uk Web: www.whitneyeng.co.uk