



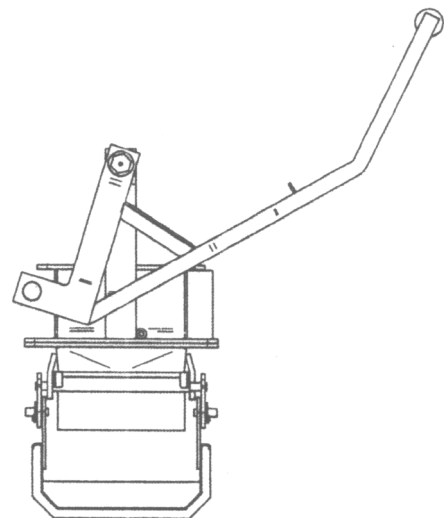
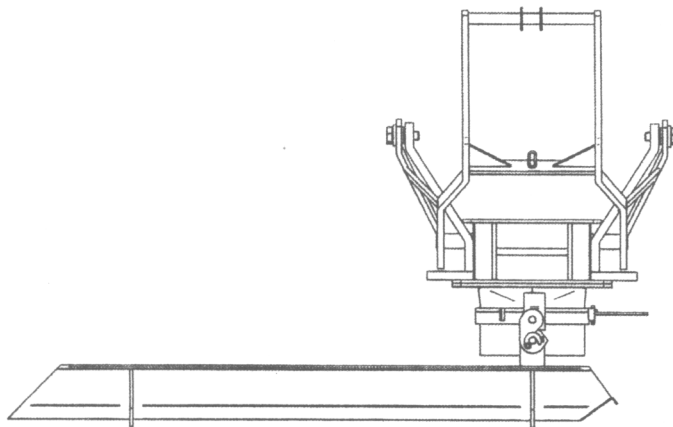
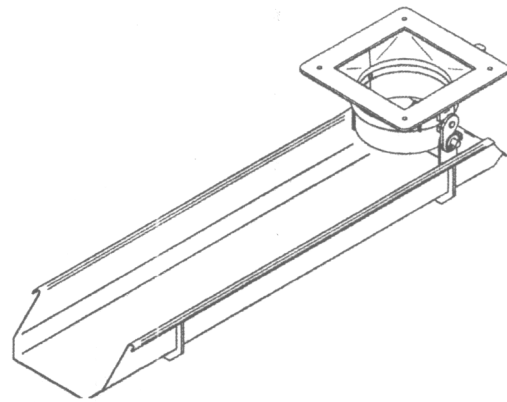
SECATOL

SPECIAL GATES FOR TU/TUC SKIPS

DISCHARGE CHUTE



The 1300mm long discharge chute is used in conjunction with the standard TUC quick release fitting to enable concrete to be poured into structures where access is a problem



WHITNEY ENGINEERING LIMITED

Unit 6, Ladford Trading Park, Seighford, Stafford, ST18 9QE

Tel: 01785 282811 Fax: 01785 282930

Email: sales@whitneyeng.co.uk Web: www.whitneyeng.co.uk