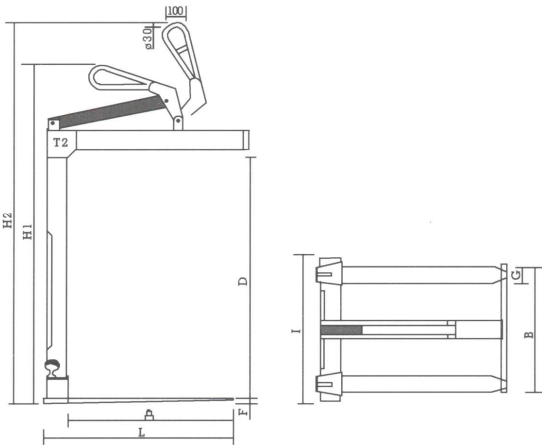




GER AU RH 2000KG SWL TELESCOPIC BRICK FORKS



The GER AU RH Telescopic Brick Forks are designed to lift both brick packs and pallets, by utilising the adjustable forks and three position load height setting. The compensation mechanism attached to the lifting eye ensures the forks remain level with or without a load. The GER AU RH is supplied with a safety net to comply with current regulations, is CE marked with EC Declaration of Conformity and Test Certificate.



| Height position | Dimensions in mm | | | | | | | | | Unladen weight (Kg) |
|-----------------|------------------|---------|------|----|----|------|------|-----|------|---------------------|
| | A | B | D | F | G | H1 | H2 | I | L | |
| 1 | | | 1570 | | | 2155 | 2510 | | | |
| 2 | 1110 | 450-850 | 1700 | 50 | 80 | 2390 | 2745 | 920 | 1260 | 240 |
| 3 | | | 1830 | | | 2625 | 2980 | | | |

WHITNEY ENGINEERING LIMITED

Unit 6, Ladford Trading Park, Seighford, Stafford, ST18 9QE

Tel: 01785 282811 Fax: 01785 282930

Email: sales@whitneyeng.co.uk Web: www.whitneyeng.co.uk