



TUC COLUMN SKIP



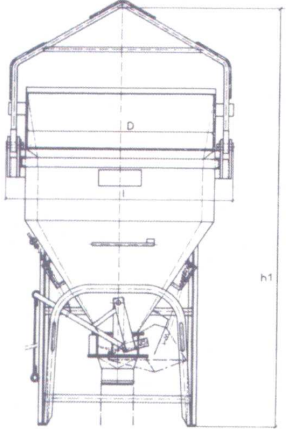
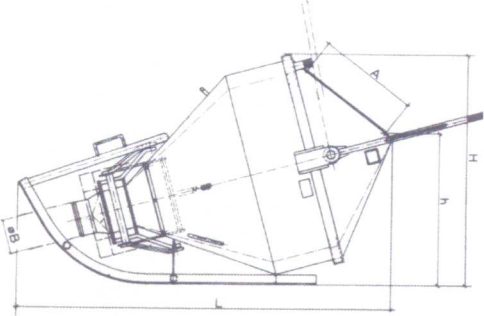
The TUC Centre Discharge Column Skip is designed to enable concrete to be poured into narrow shuttering or columns. The skips are fitted with a patented integral gate which ensures continuity of concrete flow and a 200mm diameter 3 metre long heavy duty discharge hose which prevents segregation.

Gate operation is by means of a nylon rope attached to a spring return lever ensuring excellent control whilst allowing the operator to control the pour from ground level.

The TUC is a rollover type skip whereby the skip sits in the horizontal position for filling and reverts to the vertical when in use.

Options available for the TUC are a quick release mechanism which allows for easy changing of discharge hose diameter and length.

Also available are specifically designed gates for use with very fluid self compacting concretes.



Capacity in litres	Dimensions in mm							Unladen weight (Kg)
	A	D	h	h1	Length	Width	Height	
500	560	1025	745	2145	1745	1245	1145	280
800	600	1140	860	2545	1990	1450	1325	340
1000	600	1140	890	2685	2175	1450	1360	355
1250	775	1470	1025	2870	2355	1755	1615	530
1500	775	1470	1050	2970	2450	1755	1640	555
2000	775	1470	1100	3170	2640	1755	1690	635

WHITNEY ENGINEERING LIMITED

Unit 6, Ladford Trading Park, Seighford, Stafford, ST18 9QE
Tel: 01785 282811 Fax: 01785 282930
Email: sales@whitneyeng.co.uk Web: www.whitneyeng.co.uk