

# LARGE CAPACITY CRANE TIPPING SKIP - PAL



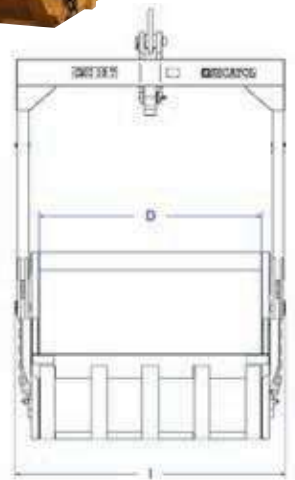
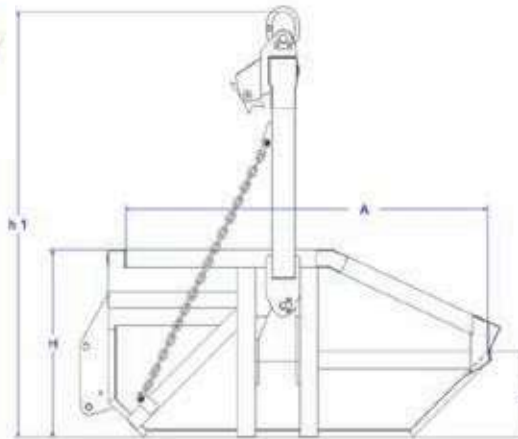
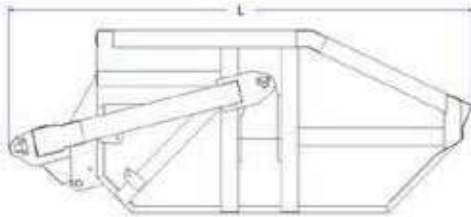
**Use:** Extra-large heavy duty general skip up to 12,000 litres; ideal for the movement of earth, rubble, waste and other materials around site.

**Principle:** The Autovid skip is designed to be emptied automatically without the need for manual intervention.

- When loading, the bale arm rests clear of the skip to allow easy access and loading
- The bale arm's automatic lock-release system enables the crane operator to operate the skip through its full cycle unassisted. The skip discharges by tilting into the vertical position for quick, complete emptying

**Features:**

- No manual intervention required
- Heavy duty construction
- Reinforced top edges



Product code	Capacity (in Litres)	Useful dimensions (in mm)								Net weight (in Kg)	SWL (kg)
		A (mm)	D (mm)	h (mm)	h1 (mm)	h2 (mm)	L (mm)	I (mm)	H (mm)		
95 010 02000A	2,000	2,205	1,200	555	2,420	2,890	2,750	1,560	1,060	870	4,000
95 010 03000A	3,000	2,205	1,800	555	2,420	2,890	2,750	2,160	1,060	1,050	6,000
95 010 04000A	4,000	2,445	1,400	760	3,070	3,510	3,300	1,835	1,565	1,570	8,000
95 010 05000A	5,000	2,445	1,700	760	3,070	3,525	3,300	2,135	1,565	1,670	10,000
95 010 06000A	6,000	2,445	2,000	760	3,100	3,538	3,300	2,435	1,565	1,840	12,000
95 010 08000A	8,000	3,240	1,990	765	3,800	4,525	4,350	2,420	1,675	2,850	16,000
95 010 10000A	10,000	3,890	1,990	768	4,265	5,210	5,030	2,455	1,775	4,380	20,000
95 010 12000A	12,000	3,890	2,290	768	4,300	5,240	5,070	2,300	2,825	4,930	24,000

