

UPRIGHT BOTTOM DISCHARGE SKIP

Central discharge

WHITNEY

SECATOL



117 500L with hand wheel



117 500L with lever



117 1000L with hand wheel



117 1000L with lever



117 2000L with lever

Use: Upright bottom discharge skip, large opening

Means of handling: Lateral lifting points from 150 to 1000L, integrated handle from 1250 to 2500L

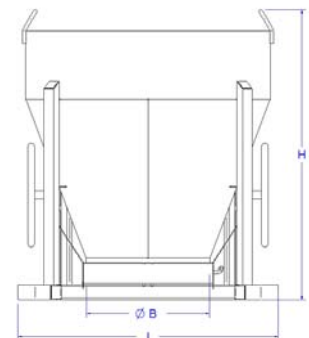
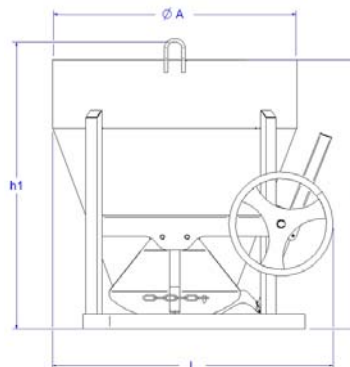
Interest: The tank slope combined to its large opening allows the use of dry concretes.

Finish: Painted

Opening gate: Double oval trapdoor

Discharge type: Central discharge

Gate operation: Lever or double hand wheel



Product code	Designation	Capacity (in Litres)	SWL (in Kg)	Ø A (mm)	Ø B (mm)	h (mm)	h1 (mm)	L x l x H (mm)	Net weight (in Kg)
88016	117 B skip 150 L	150	360	816	496	592	666	921 x 862 x 666	56
88023	117 B skip 200 L	200	480	756	496	672	743	921 x 862 x 743	61
88033	117 B skip 300 L	300	720	756	496	863	934	921 x 862 x 934	69
88036	117 B skip 350 L	350	840	974	494	880	963	1016 x 1048 x 983	114
88036VO	117 B skip 350 L with hand wheel	350	840	974	494	880	963	1129 x 1048 x 983	130
88053	117 B skip 500 L	500	1200	974	494	1080	1150	1016 x 1048 x 1170	138
88053VO	117 B skip 500 L with hand wheel	500	1200	974	494	1080	1150	1129 x 1048 x 1170	154
88076	117 B skip 750 L	750	1800	1000	520	1221	1286	1140 x 1174 x 1306	166
88076VO	117 B skip 750 L with hand wheel	750	1800	1000	520	1221	1286	1275 x 1174 x 1306	180
88103	117 B skip 1000 L	1000	2400	1000	520	1484	1549	1140 x 1174 x 1569	187
88103VO	117 B skip 1000 L with hand wheel	1000	2400	1000	520	1484	1549	1275 x 1174 x 1569	202
88127	117 PI skip 1250 L	1250	3000	1650	600	1227	1652	1748 x 1748 x 1527	384
88154	117 PI skip 1500 L	1500	3600	1650	600	1333	1731	1748 x 1748 x 1606	422
88177	117 PI skip 1750 L	1750	4200	1650	600	1438	1836	1748 x 1748 x 1711	440
88204	117 PI skip 2000 L	2000	4800	1650	600	1543	1941	1748 x 1748 x 1816	458
88254	117 PI skip 2500 L	2500	6000	1650	600	1753	2151	1748 x 1748 x 2026	494
20003500903	Double sling option from 1000 L	-	-	-	-	-	-	-	7

*Geometric capacity, apply a coefficient depending on the nature of the concrete to calculate the useful capacity (other capacities on request)
These technical details are given for information purposes only. they can be changed without any notice.

WHITNEY

Ladybird House, Brockhill Yard, Hewell Lane, Redditch, B97 6QT
www.whitneyeng.com sales@whitneyeng.com 01785 282811
Sole UK dealers for SECATOL Equipment