

SPECIAL GATES FOR TU/TUC SKIPS

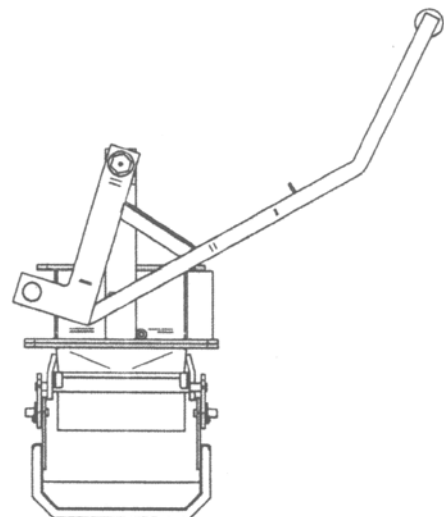
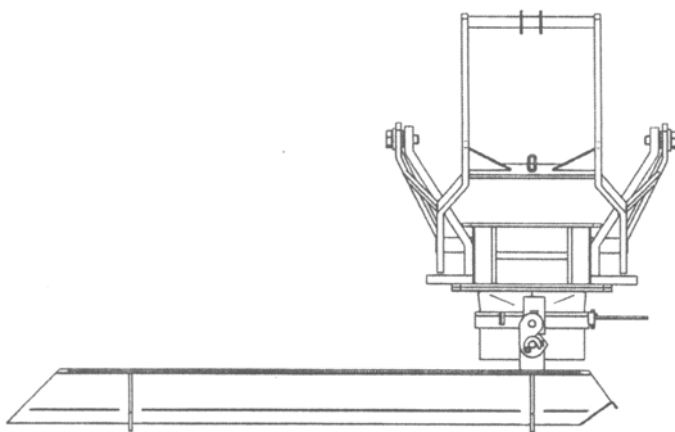
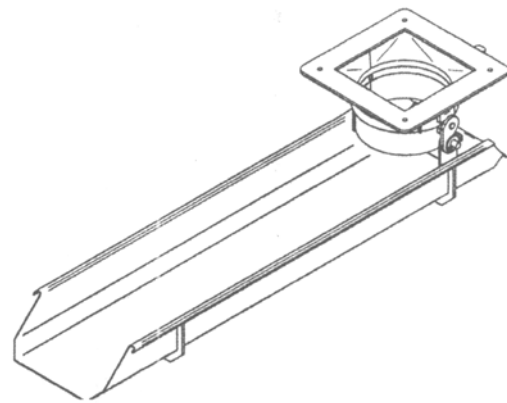
Discharge Chute

WHITNEY

SECATOL



The 1300mm long discharge chute is used in conjunction with the standard TUC quick release fitting to enable concrete to be poured into structures where access is a problem



WHITNEY

Ladybird House, Brockhill Yard, Hewell Lane, Redditch, B97 6QT
www.whitneyeng.com sales@whitneyeng.com 01785 282811
Sole UK dealers for SECATOL Equipment

CHUTE