

# WASHING PLATFORM

## For concrete skips

**WHITNEY**

**SECATOL**

**Aim:** The washing platform has been designed to improve the cleanliness on the building sites by facilitating the cleaning and maintenance of the SECATOL range of skips.

**Security:** With 2 stairs, a platform and safety rails, the washing platform is perfectly secure and easy to use. The whole equipment can be fixed on the ground.

**Compatibility:** The washing platform is suitable for nearly all SECATOL's range of concrete skips: TU, TUC, TUD, TUCD, TI, TIC, TID, TICD, TE, TEC and SBC from 600 to 2000L. Other models can be studied by our technical department.

**Handling operations & transport:** Handling operations with a forklift or a crane. For transport purposes, rails are removable and the upfront part can be folded for a maximum space gain.

**Finish:** Painted or galvanized.

**Maintenance:** The washing platform can easily be cleaned and does not retain washing waters (meshed steal on the platform).



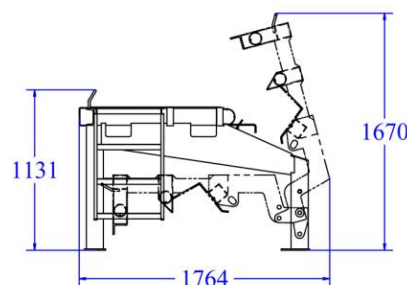
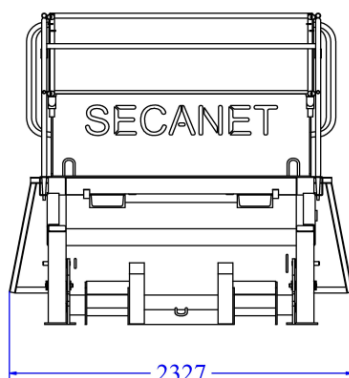
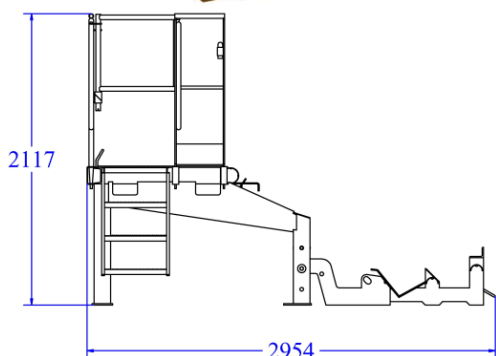
Painted platform with laydown skip



Galvanized platform with upright skip



If needed, the washing platform can be fitted with a retention tray under its front part.



Designation	Product code	Length (in mm)	Width (in mm)	Height (in mm)	L / w / h for transport	Weight (in Kg)
Washing platform SECANET Painted version	96002	2954	2327	2117	1764 / 2327 / 1670	490
Washing platform SECANET Galvanized version	96002G	2954	2327	2117	1764 / 2327 / 1670	524

**WHITNEY**

Ladybird House, Brockhill Yard, Hewell Lane, Redditch, B97 6QT  
 www.whitneyeng.com sales@whitneyeng.com 01785 282811  
 Sole UK dealers for SECATOL Equipment

**SECANET**