

# BRICK FORK TYPE GER

## Manual sliding device / Self-leveling device

**WHITNEY**

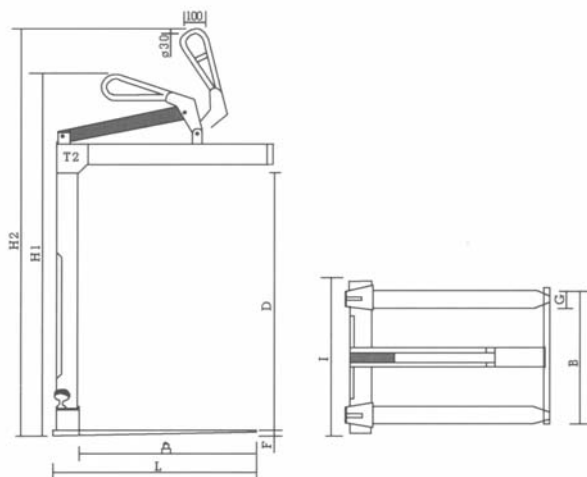
**SECATOL**



The GER AU Self Levelling Brick Forks are designed to lift both brick packs and pallets, by utilising the adjustable forks.

The compensation mechanism attached to the lifting eye ensures the forks remain level with or without a load.

The GER AU is supplied with a safety net to comply with current regulations, is CE marked with EC Declaration of Conformity and Test Certificate.



SWL in kgs	Dimensions in mm									Unladen weight (Kg)
	A	B	D	F	G	H1	H2	I	L	
2000	1110	450-850	1240	50	80	1800	2060	920	1260	200

**WHITNEY**

Ladybird House, Brockhill Yard, Hewell Lane, Redditch, B97 6QT  
[www.whitneyeng.com](http://www.whitneyeng.com) [sales@whitneyeng.com](mailto:sales@whitneyeng.com) 01785 282811  
 Sole UK dealers for SECATOL Equipment

GER AU