

LARGE OPENING LAYDOWN SKIP

With lifting points

WHITNEY

SECATOL



PF Model: Safety et solidity

Use: This concrete skip is used for the discharge of concrete with low slump (up to 5 cm).

Format: This laydown version allows an easier filling. The design of the skip, the mix of the shape and volume give the opportunity to use a great capacity of concrete in a reduced space.

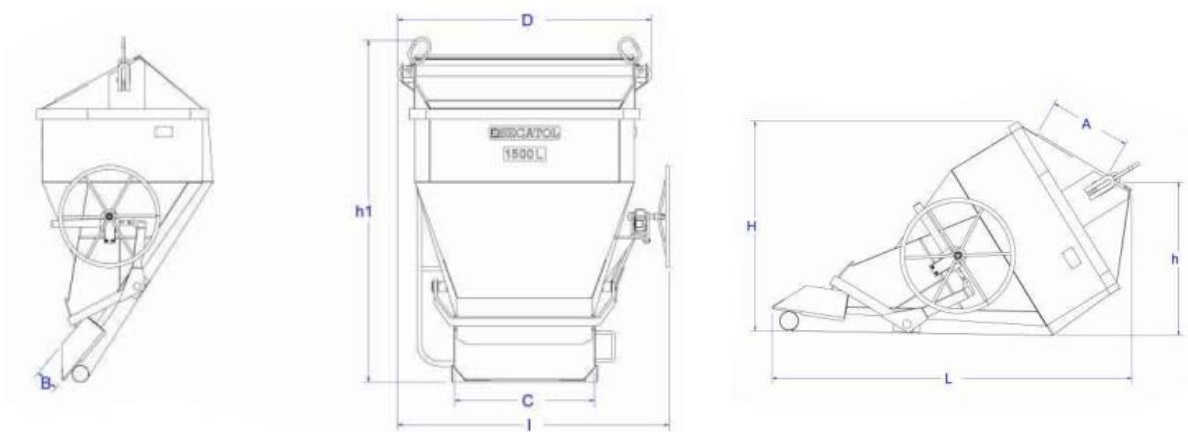
Means of handling: Fitted with lateral lifting points with an integrated bale arm.

Interest: Thanks to the large opening, the SBC concrete skip enables fast floor concrete pouring. It can also be used to discharge concrete into shutters.

Type of hatch: Its long rectangular hatch allows high concrete output rates.

Discharge type: Offset.

Gate opening: By one or two wheels, depending on the model. This system is precise to control the concrete flowing.



Product code	Capacity* (in Litres)	Useful dimensions (in mm)						Weight (in Kg)	Overall size (in mm)		
		A	B	C	D	h	h1		L	I	H
22063	600	500	300	700	1424	650	1840	293	1680	1536	980
22083	800	500	300	700	1424	740	2020	333	1830	1536	1070
22103	1000	500	300	700	1424	830	2190	373	1980	1536	1165
22123	1200	600	300	900	1750	800	2150	473	1990	1890	1200
22153	1500	600	300	900	1750	910	2350	495	2145	1890	1310
22203	2000	800	300	900	1995	980	2625	560	2360	1980	1460
22253	2500	800	300	900	1995	1090	2825	827	2547	1980	1568

*Geometric capacity, apply a coefficient depending on the nature of the concrete to calculate the useful capacity (other capacities on request)
These technical details are given for information purposes only, they can be changed without any notice.

WHITNEY

Ladybird House, Brockhill Yard, Hewell Lane, Redditch, B97 6QT
www.whitneyeng.com sales@whitneyeng.com 01785 282811
Sole UK dealers for SECATOL Equipment

SBC PF