

UPRIGHT CONCRETE SKIP

with fork pockets and bale arm

WHITNEY

SECATOL



Model TI FU 1000 L



Presentation: Upright concrete skip with fork pockets and bale arm.

Means of handling:

- Either by crane with its bale arm
- Or by forklift with its fork pockets

Security: This skip is fitted with 2 fork pockets with a safety system to lock forks inside the pockets.

Gate type: This type of skip can be fitted with all the SECATOL mechanisms (TI, TU, TE).

<
Discharge type: Centre.

Gate operation: By means of a nylon rope attached to a spring return lever for the TI FU and TU FU gates and by a wheel for the TE FU gate.

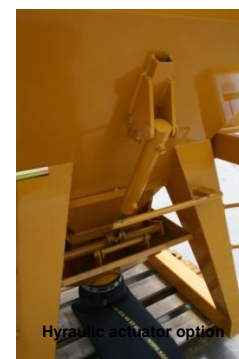
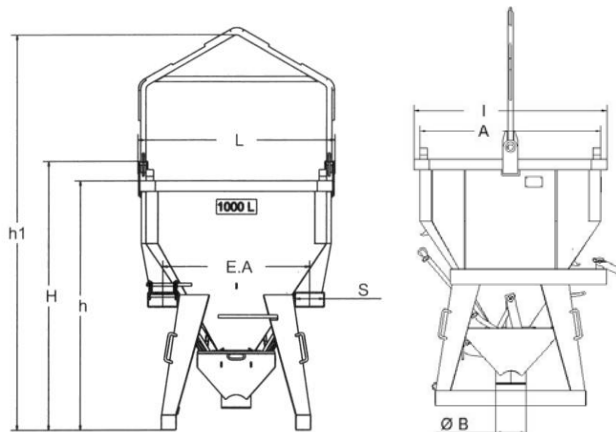
Skips with capacities of 1000L and above are fitted with the auxiliary gate closing option to ease the gate closure.

Characteristics:

- Skip belt in U profile for a **higher** robustness.
- Supplied with a 3 meter long hose, 200mm diameter (in option Ø 90, 150 or 250 mm).
- **Hydraulic actuator option**



Round legs from 350 to 500L



Hydraulic actuator option

Capacity* (L)	Useful dimensions			Overall dimensions			Fork pockets size		TI FU		TU FU		TE FU	
	A	h	h1	L	I	H	E.A	S	Code	Weight (in Kg)	Code	Weight (in Kg)	Code	Weight (in Kg)
350	1051	1192	2000	1180	1110	1322	880	180x80	31035FU	264	25035FU	266	47035FU	244
500	1051	1337	2145	1180	1110	1467	880	180x80	31050FU	272	25050FU	278	47050FU	260
600	1200	1365	2330	1320	1270	1495	980	180x80	31060FU	353	25060FU	398	47060FU	378
800	1200	1500	2465	1320	1270	1630	980	180x80	31080FU	382	25080FU	412	47080FU	396
1000	1200	1640	2605	1320	1270	1770	980	180x80	31100FU	400	25100FU	430	47100FU	416
1250	1500	1650	2755	1640	1590	1800	1000	180x80	31125FU	610	25125FU	625	47125FU	610
1500	1500	1750	2835	1640	1590	1900	1000	180x80	31150FU	630	25150FU	645	47150FU	627
2000	1500	1950	3080	1640	1590	2100	1000	180x80	31200FU	715	25200FU	733	47200FU	695

*Geometric capacity, apply a coefficient depending on the nature of the concrete to calculate the useful capacity (other capacities on request)
These technical details are given for information purposes only, they can be changed without any notice.

WHITNEY

Ladybird House, Brockhill Yard, Hewell Lane, Redditch, B97 6QT
www.whitneyeng.com sales@whitneyeng.com 01785 282811
Sole UK dealers for SECATOL Equipment

TI FU
TU FU
TE FU