

# UPRIGHT CONCRETE SKIP with bale arm

# WHITNEY

## SECATOL



TI 1250 L

**Presentation:** This column skip is designed to enable concrete to be poured into narrow shuttering or columns.

**Means of handling:** This skip is lifted by its bale arm.

**Gate type:** This type of skip can be fitted with all the SECATOL mechanisms (TU, TI or TE).

**Discharge type:** Centre

**Gate operation:** By means of a nylon rope attached to a spring return lever for the TI and TU gates and by a wheel for the TE gate.

*Skips with capacities of 1000 L and above are fitted with the auxiliary gate closing option to ease the gate closure.*

**Characteristics:**

- Skip body reinforcing frame made from channel for **greater strength**.
- Delivered with a 3 metre long hose, Ø 200mm (as option Ø 90, 150 or 250 mm available).



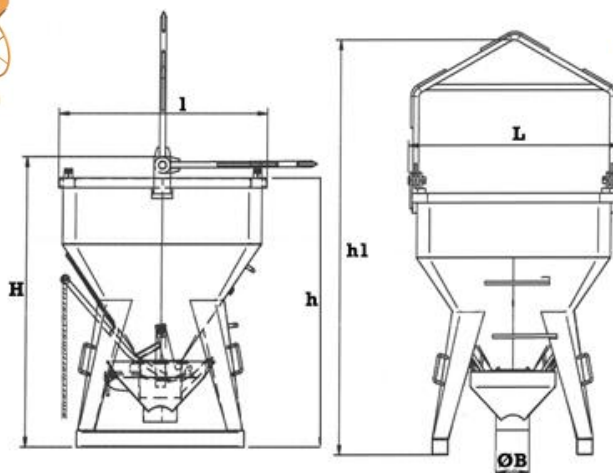
Round legs from 350 to 500L



TE 1000 L skip – Gate operated with a hand wheel



TU 1000 L skip – Gate operated with a lever



TI 1000 L skip

Capacity* (in Litres)	Useful Dimensions (in mm)			Overall size (in mm)			TI		TU		TE	
	A	h	h1	L	l	H	Product code	Weight (in Kg)	Product code	Weight (in Kg)	Product code	Weight (in Kg)
350	1051	1192	2000	1180	1110	1322	31035	220	25035	222	47035	200
500	1051	1337	2145	1180	1110	1467	31050	228	25050	234	47050	216
600	1200	1365	2330	1320	1270	1495	31060	305	25060	312	47060	292
800	1200	1500	2465	1320	1270	1630	31080	320	25080	326	47080	310
1000	1200	1640	2605	1320	1270	1770	31100	335	25100	344	47100	330
1250	1500	1650	2755	1640	1590	1800	31125	490	25125	480	47125	465
1500	1500	1750	2835	1640	1590	1900	31150	505	25150	500	47150	482
2000	1500	1950	3080	1640	1590	2100	31200	575	25200	588	47200	550
2500	1500	2227	3317	1628	1588	2377	31250	620	25250	625	47250	587

\*Geometric capacity, apply a coefficient depending on the nature of the concrete to calculate the useful capacity (other capacities on request)  
These technical details are given for information purposes only, they can be changed without any notice.

# WHITNEY

Ladybird House, Brockhill Yard, Hewell Lane, Redditch, B97 6QT  
www.whitneyeng.com sales@whitneyeng.com 01785 282811  
Sole UK dealers for SECATOL Equipment

TI  
TU  
TE