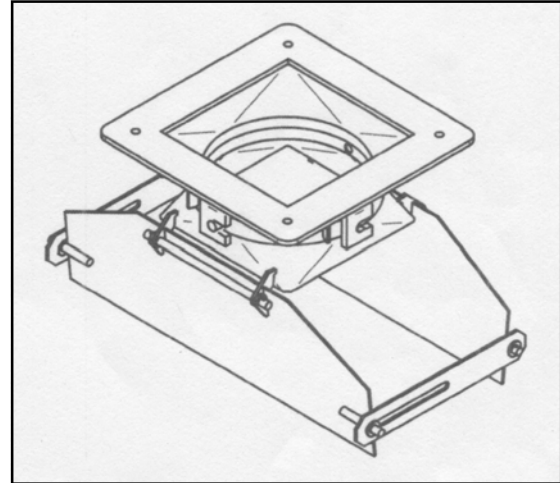
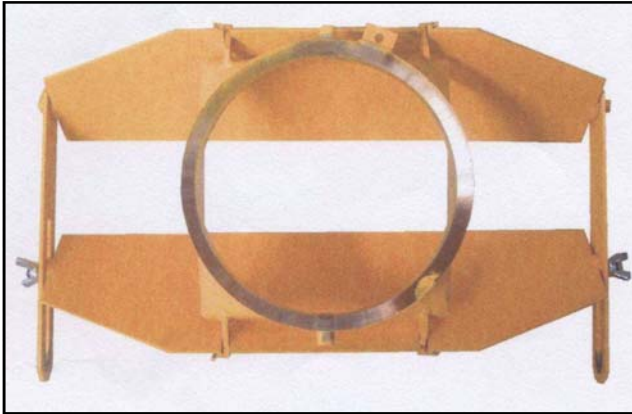


SPECIAL GATES FOR TU/TUC SKIPS

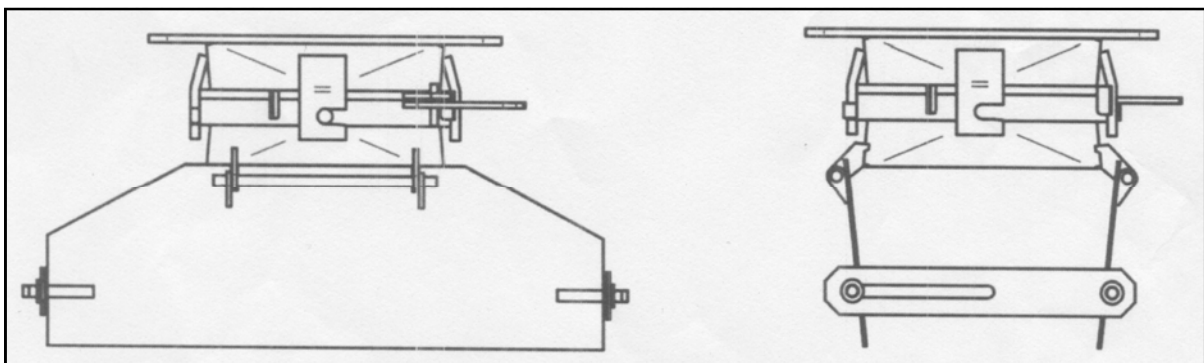
VR Discharge Funnel

WHITNEY

SECATOL



The adjustable V R discharge funnel is used in conjunction with the standard TUC quick release fitting to enable concrete to be poured into very narrow moulds associated with prefabrication work.



WHITNEY

Ladybird House, Brockhill Yard, Hewell Lane, Redditch, B97 6QT
www.whitneyeng.com sales@whitneyeng.com 01785 282811
Sole UK dealers for SECATOL Equipment

VR FUNNEL